

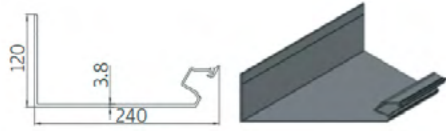
enriches
your living
experience



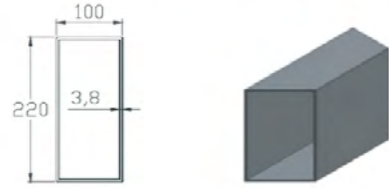
B CUBE FREEDOM

Price & Information List

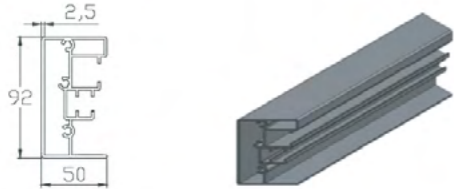
① Front and Back Gutter Profile



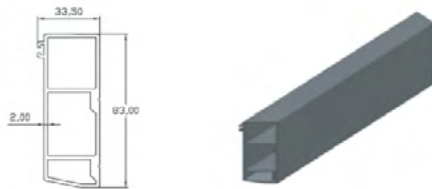
② Carrier Post and Side Beam Profile



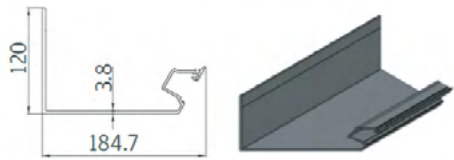
③ Rafter Profile



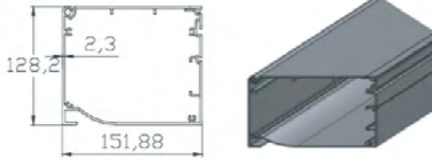
④ Front Profile



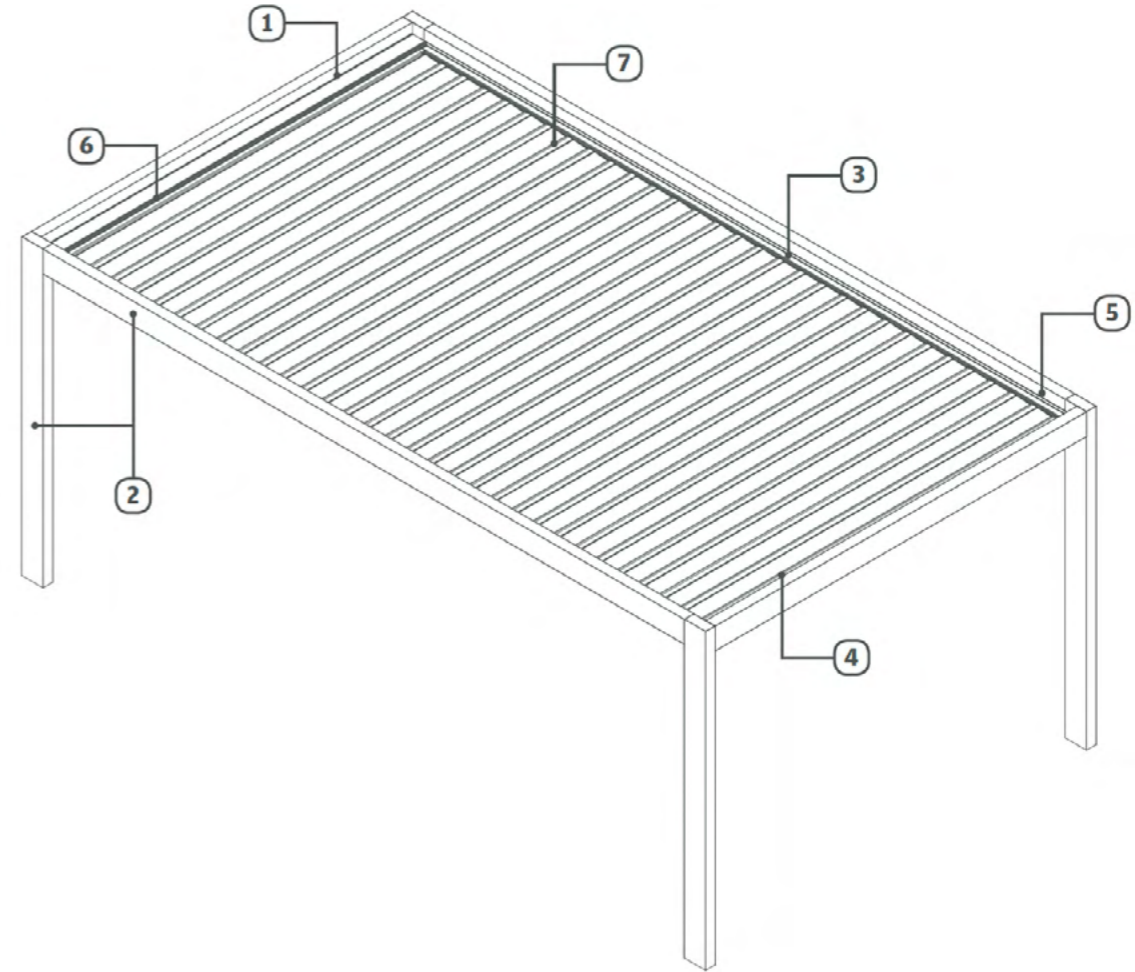
⑤ Side Gutter Profile



⑥ Motor Box Profile



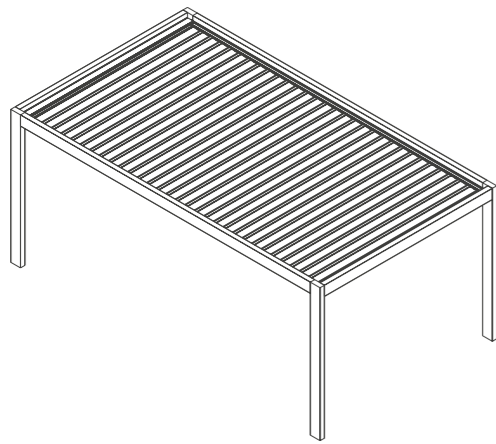
⑦ Aerofoil Louvre Profile



Single Module

		Width	Projection
Side Beam	2 pieces	Max. 4000	Max. 7060

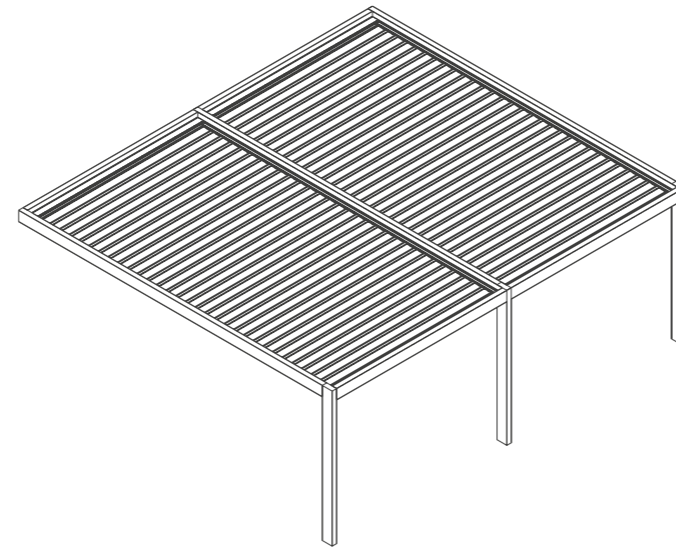
		Width	Height
Carrier Post	2 pieces	Max. 4000	2500~3000



Double Module

		Width	Projection
Side Beam	3 pieces	Max. 8000	Max. 7060

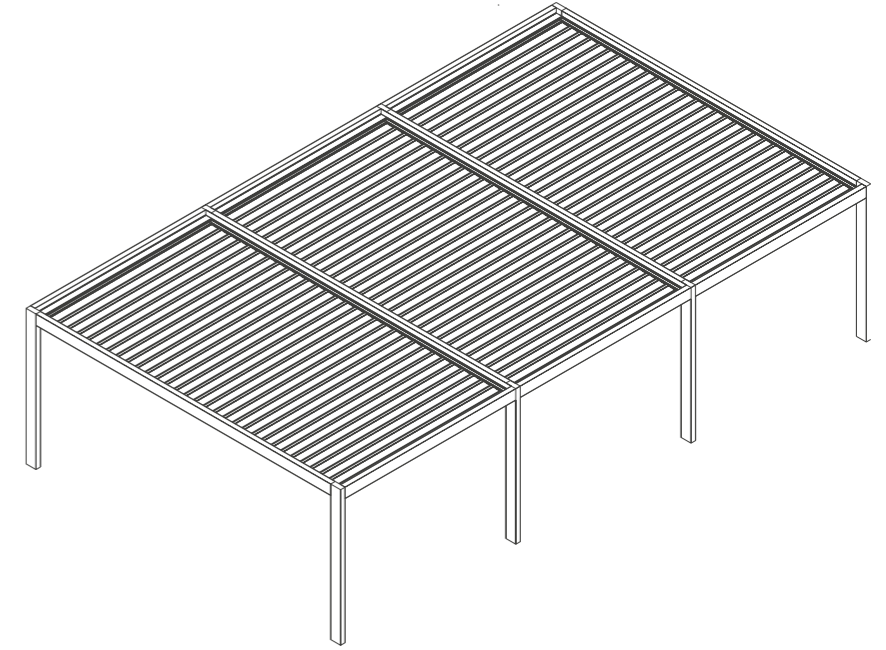
		Width	Height
Carrier Post	6 pieces	Max. 8000	2500~3000



Triple Module

		Width	Projection
Side Beam	4 pieces	Max. 11950	Max. 7060

		Width	Height
Carrier Post	8 pieces	Max. 11950	2500~3000



* Carrier Posts are manufactured as 6pcs (3 front, 3 back)

Accessories



Somfy Wind Sensor



Somfy Wind and Sun Sensor



MN PERGOLA Infrared Heater (2000W)



MN PERGOLA Infrared Heater (3000W)



Heater, Dimmer Switch



LED Lighting Integrated & Linear



Aluminium Powder Coating



Aerosol Touch-up Spray Paint



Bi-Metal Holesaw



Silicone



Lighting Dimmer Switch



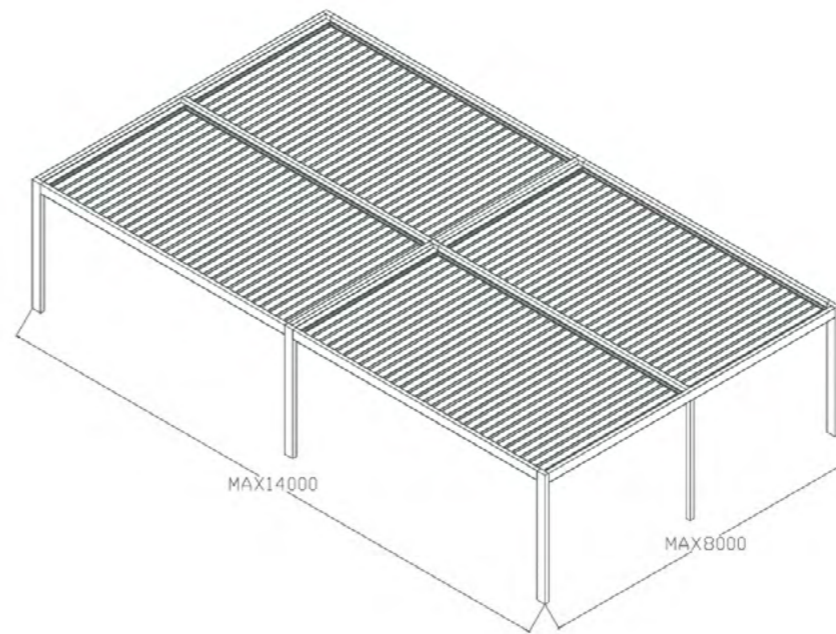
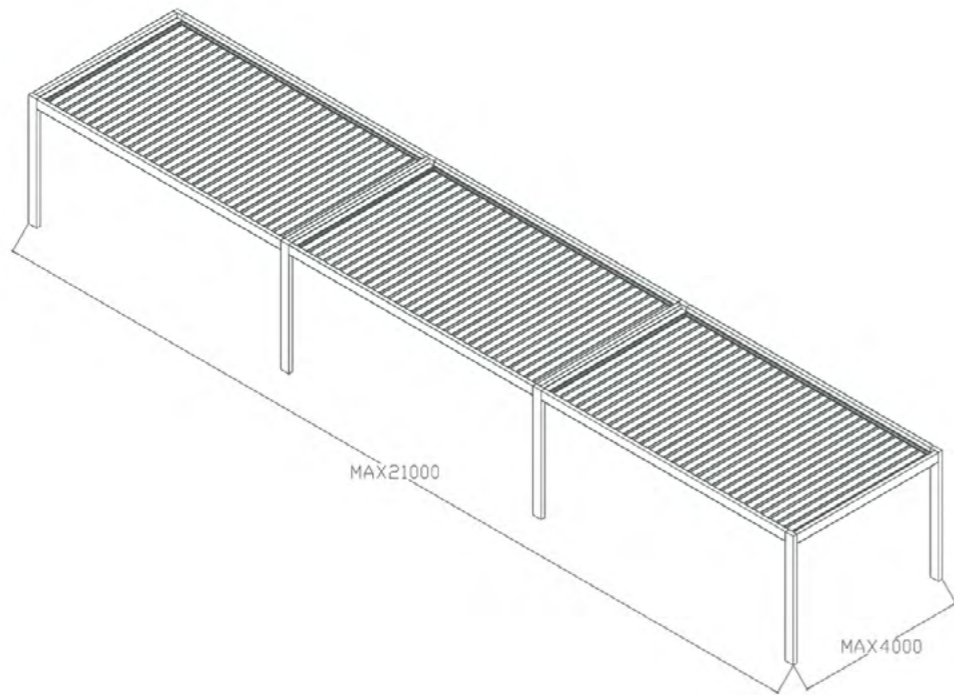
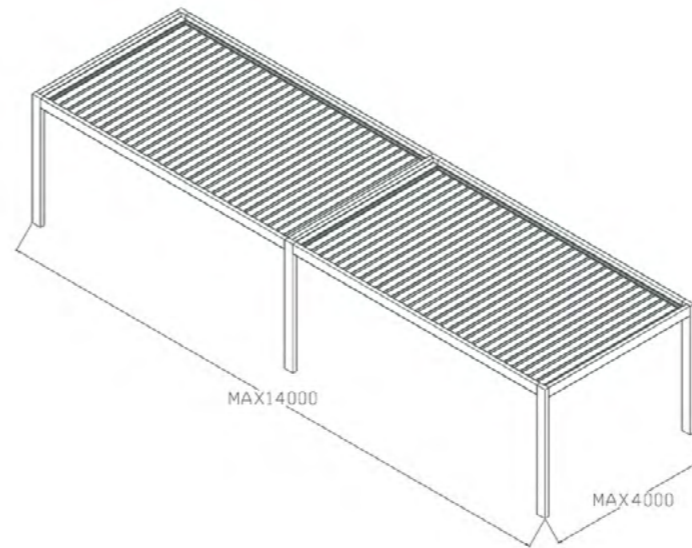
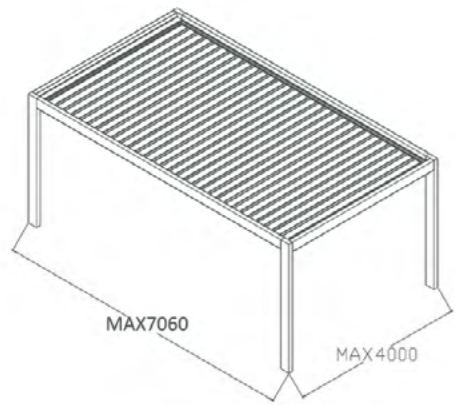
Packaging with Wooden Crate



MN PERGOLA Glass & Glazing Systems



Integrated Speaker Module MN PERGOLA Sound System

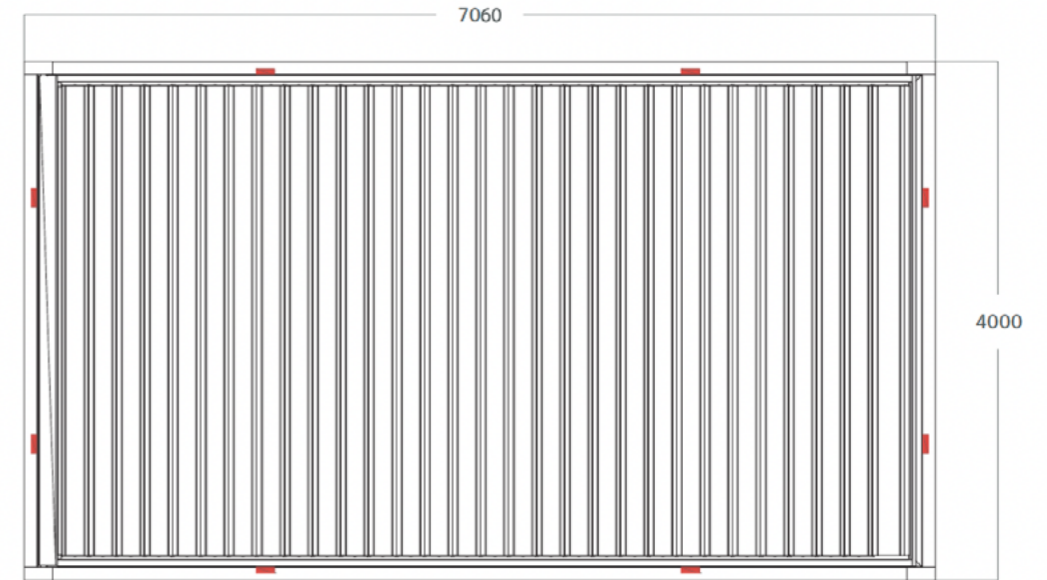
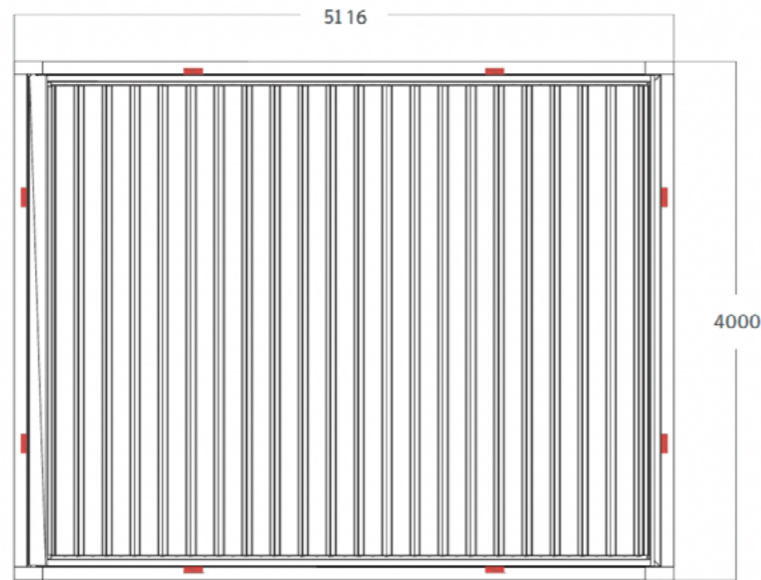
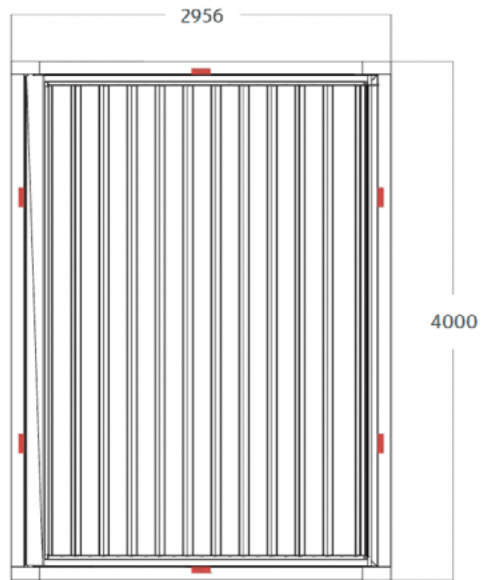


Important Information

* Rain water drainage and outlet point varies depending on system projections. Please contact your account manager for an accurate information and details on this matter.

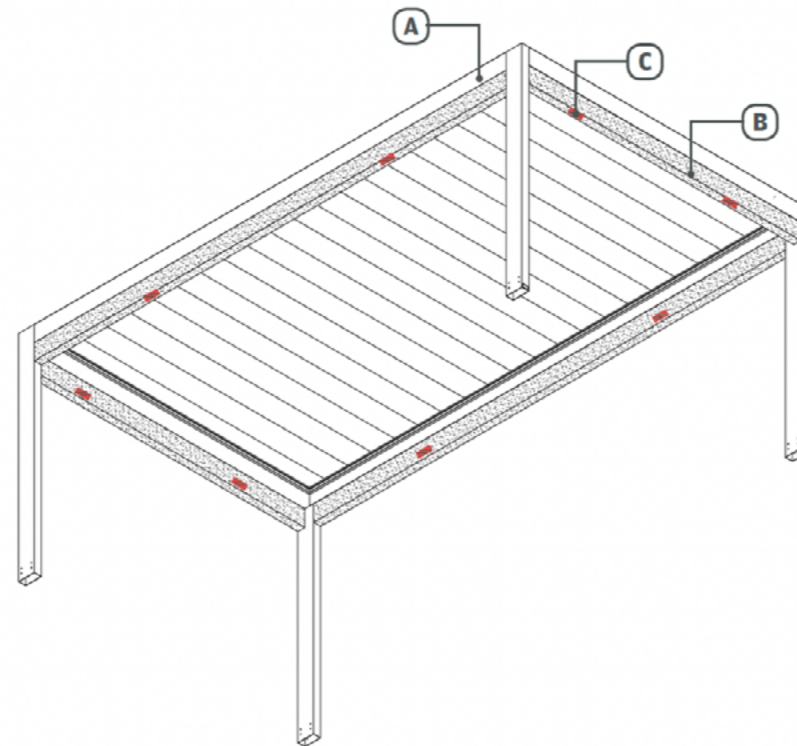
* There is a natural slope for excess water to be drained, therefore there will be a level difference between the front and back height. Please contact your account manager for an accurate information and further detailing on this matter.

* In order for the excess rain water to be drained correctly from system's rain drainage outlet point our system requires levelled surface installation. Under that reason the system projection direction must be advised to you by our technical department. To avoid any discrepancy please contact your account manager.



- A:** Standart Carrier Post and Side Beam Profile
- B:** Carrier Post and Side Beam Profile for Audio System
- C:** Audio Systems are assembled into the Additional Beams and have maximum of 2 meters gap in between them.

Note: The Audio System modules can be more than 2 upon requirements. The drawings show 2 of them on each side for demonstration purposes.



enriches
your living
experience